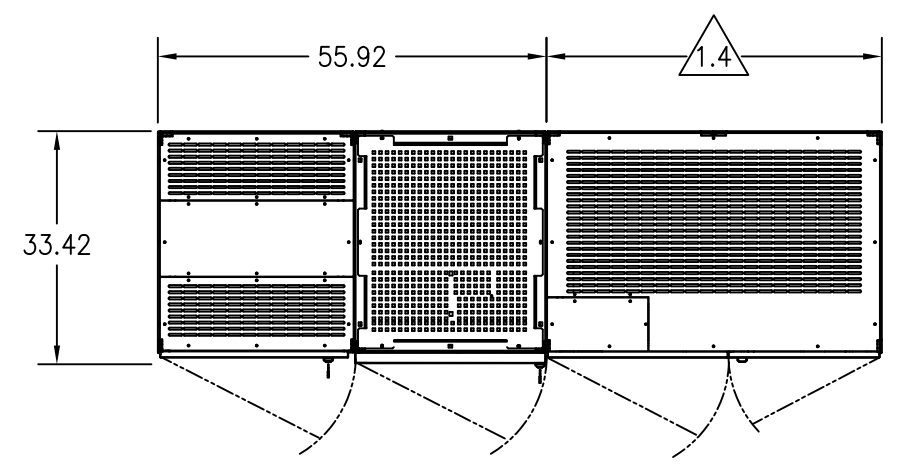
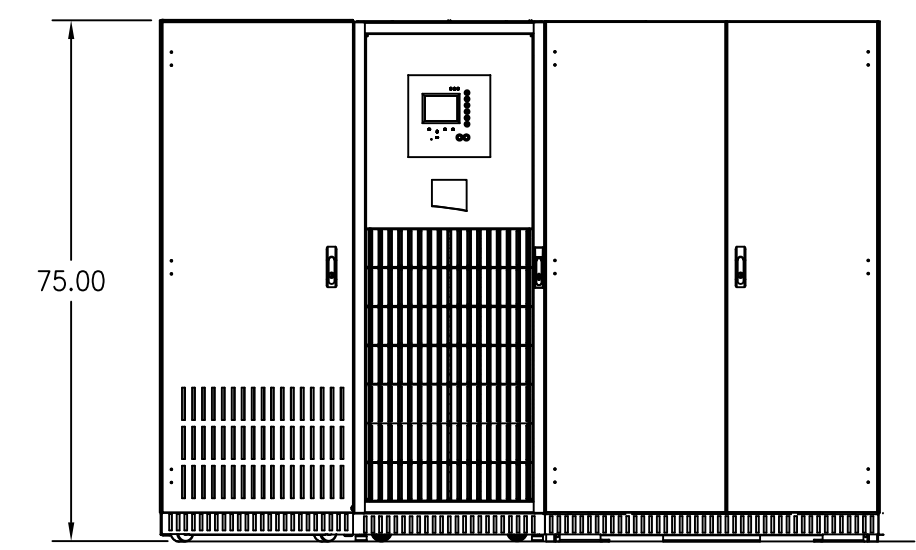


ALL TECHNICAL INFORMATION CONTAINED IN THIS DOCUMENT IS THE EXCLUSIVE PROPERTY OF SCHNEIDER ELECTRIC INDUSTRIES SAS AND MAY NEITHER BE USED NOR DISCLOSED WITHOUT ITS PRIOR WRITTEN CONSENT.

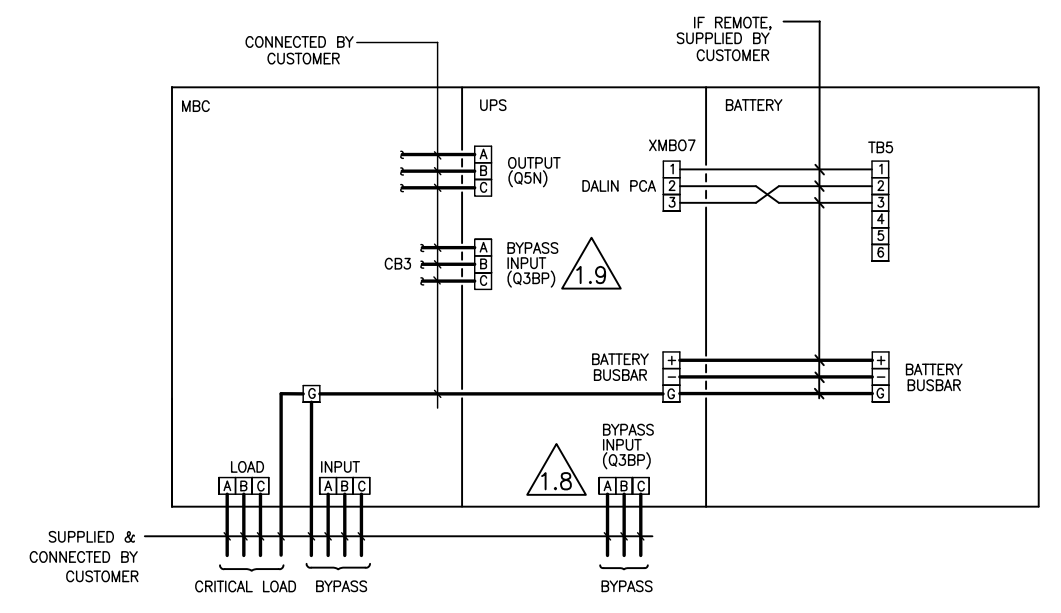
REVISIONS			
REV	DESCRIPTION	DATE	APPROVED
A00	NEW RELEASE	12/23/08	I.K.



TOP VIEW



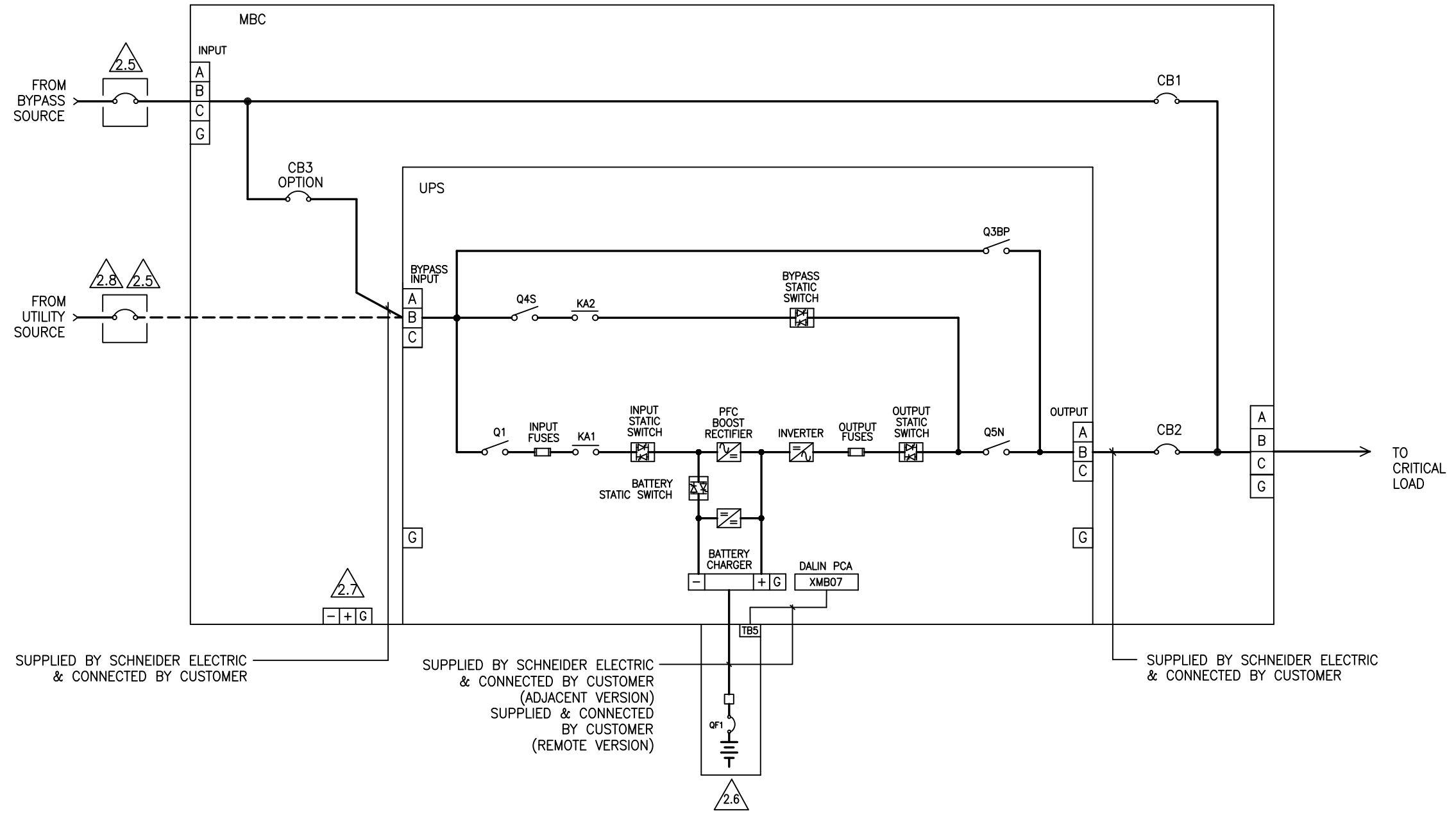
FRONT VIEW



NOTES: UNLESS OTHERWISE SPECIFIED

- 1.1 DIMENSION FORMAT IS INCHES.
- 1.2 ALL DIMENSIONS ARE TO THE OUTSIDE EDGE OF CABINET, EXCLUDING DOOR LOCKS AND ALL HARDWARE.
- 1.3 REFER TO EACH INDIVIDUAL CABINET INSTALLATION DRAWING INDICATED BELOW:
 - A. 90-174700-00 UPS.
 - B. 90-174703-00 MBC.
- 1.4 1.4 OPTIONAL, UP TO FOUR (4) BATTERY CABINETS. CABINETS LOCATED ADJACENT OR REMOTELY. EACH ADJACENT CABINET IS 26.24"W, 32.24"W OR 48.24"W WITH ONE OUTSIDE SIDE PANEL. SHOWN WITH 48"W CABINET. EACH REMOTE CABINET IS 26.48"W, 32.48"W OR 48.48"W. REFER TO EACH INDIVIDUAL CABINET INSTALLATION DRAWING INDICATED BELOW:
 - A. 90-174701-00 BATTERY (26 in & 32 in).
 - B. 90-174701-01 BATTERY (48 in).
- 1.5 CABINETS ARE ATTACHED TOGETHER USING BRACKETS.
- 1.6 REFERENCE SEISMIC DRAWING 90-174709-00.
- 1.7 FOR TOP FAN EXHAUST, ALLOW MINIMUM TWO FEET CLEARANCE.
- 1.8 1.8 FOR 2CB MBC ONLY.
- 1.9 1.9 FOR 3CB MBC ONLY.
- 1.10 FOR TOP ENTRY ROUTE UPS INPUT/BYPASS CABLES THROUGH THE MBC CABINET.

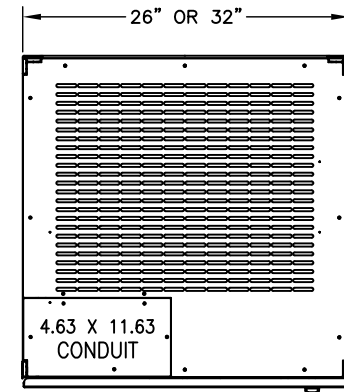
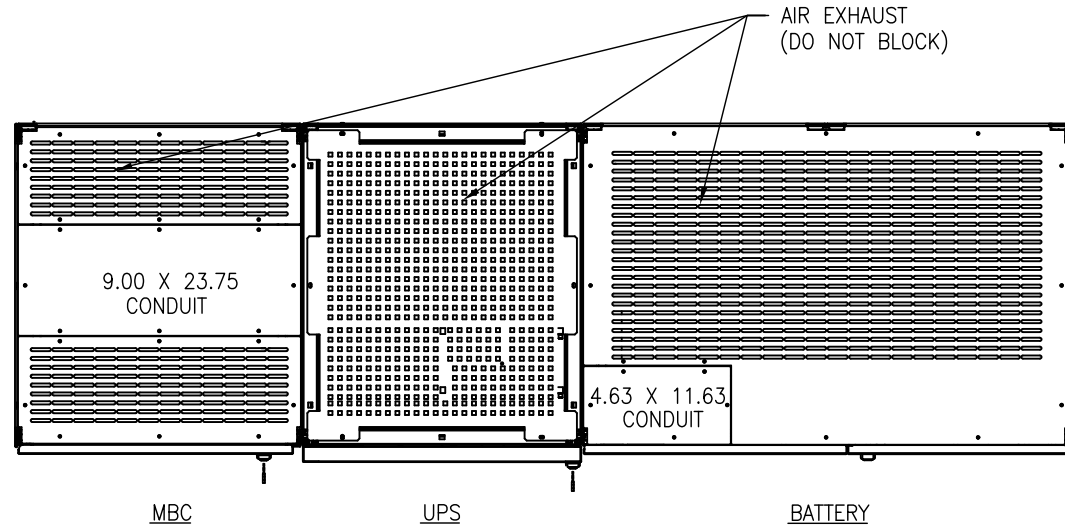
CONTRACT NO.		SCHNEIDER ELECTRIC Critical Power & Cooling Service Division 1660 Scenic Avenue Costa Mesa, CA. 92626 U.S.A.			
APPROVALS	DATE	SYSTEM INSTALLATION UPS SINGLE INP, BATT, MBC MGE GALAXY 5000			
DRAWN	12/23/08				
CHECKED	12/23/08				
ISSUED	12/23/08				
DO NOT SCALE DRAWING		SIZE	CAGE CODE	DWG NO.	REV.
		B	9L985	90-174744-00	A00
		SCALE	NONE	CAD	90-174744-00_1
				SHEET 1 OF 4	



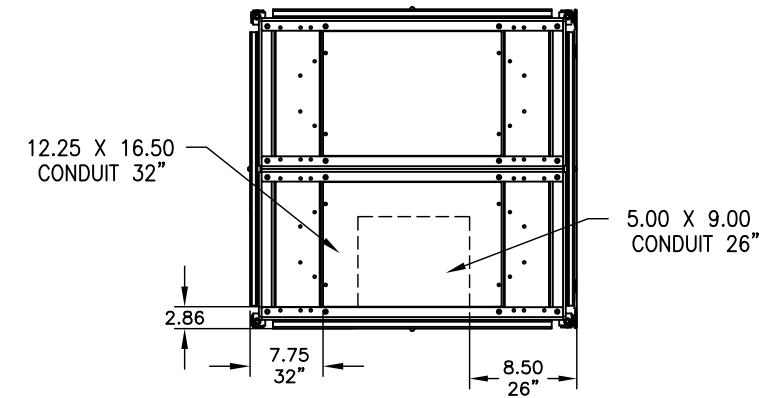
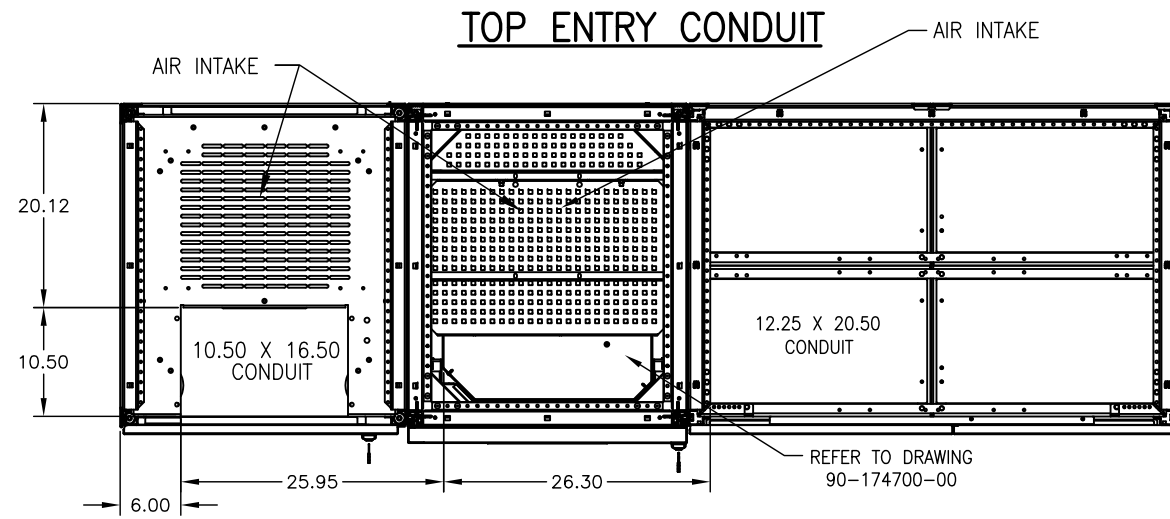
NOTES: UNLESS OTHERWISE SPECIFIED

- 2.1 FOLLOW ALL APPLICABLE NEC & LOCAL ELECTRICAL CODES.
- 2.2 ALL EXTERNAL WIRING BY CUSTOMER.
- 2.3 POWER & CONTROL CABLES SHALL BE IN SEPARATE CONDUITS.
- 2.4 CUSTOMER IS RESPONSIBLE FOR CONNECTING ALL SCHNEIDER ELECTRIC SUPPLIED CABLES.
- 2.5 UPSTREAM PROTECTIVE DEVICE REQUIRED. PROVIDED BY CUSTOMER.
- 2.6 ONE CABINET SHOWN. FOR UP TO FOUR (4) BATTERY CABINET CONNECTIONS, REFER TO DRAWINGS 90-174701-00 OR 90-174701-01.
- 2.7 FOR STAND ALONE BATTERY CABINETS WITH TOP ENTRY SYSTEM CONFIGURATION, DC CONNECTION IS FED THROUGH THE ADJACENT MBC.
- 2.8 FOR 2CB MBC OPTION ONLY. SHOULD FEED FROM THE SAME SOURCE AS THE MBC.

SIZE	CAGE CODE	DWG NO.	REV.
B	9L985	90-174744-00	A00
SCALE	NONE	CAD 90-174744-00_2	SHEET 2 OF 4

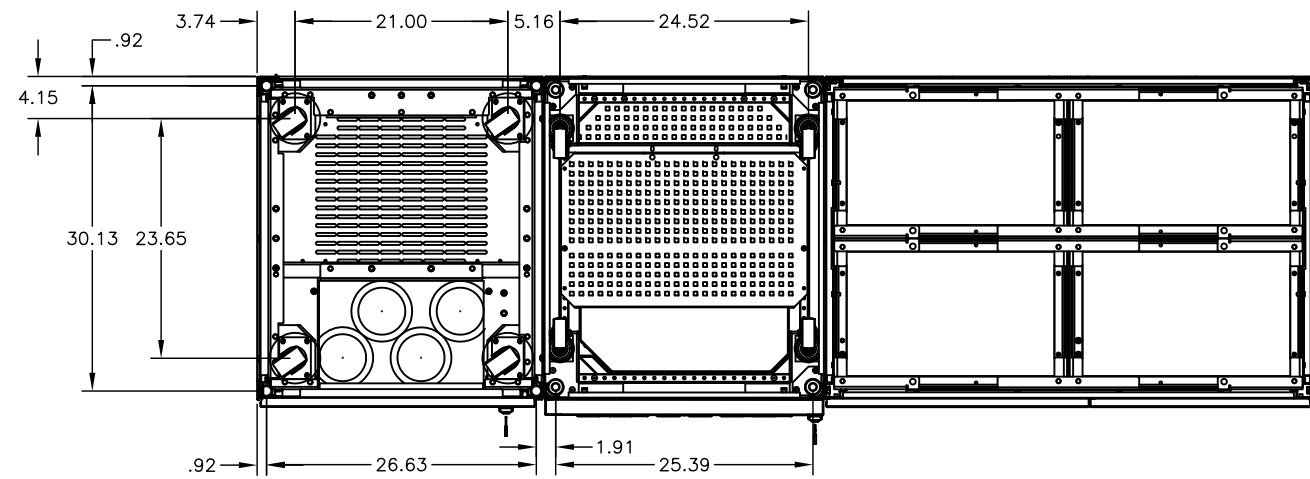


BATTERY (26" OR 32")

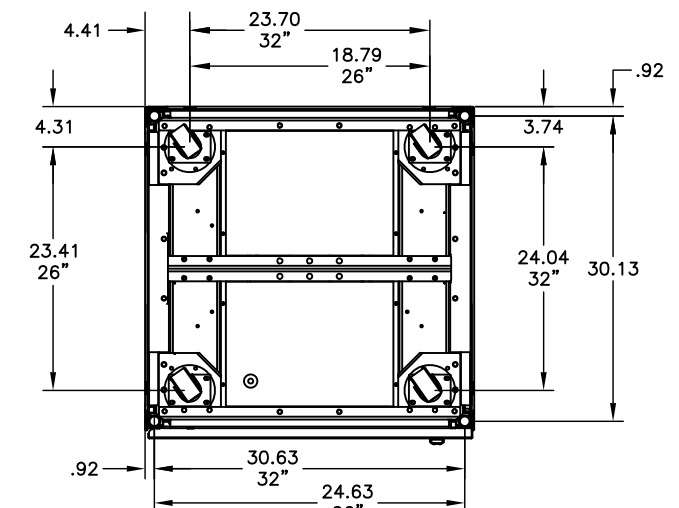


BATTERY (26" OR 32")

BOTTOM ENTRY CONDUIT LOCATIONS

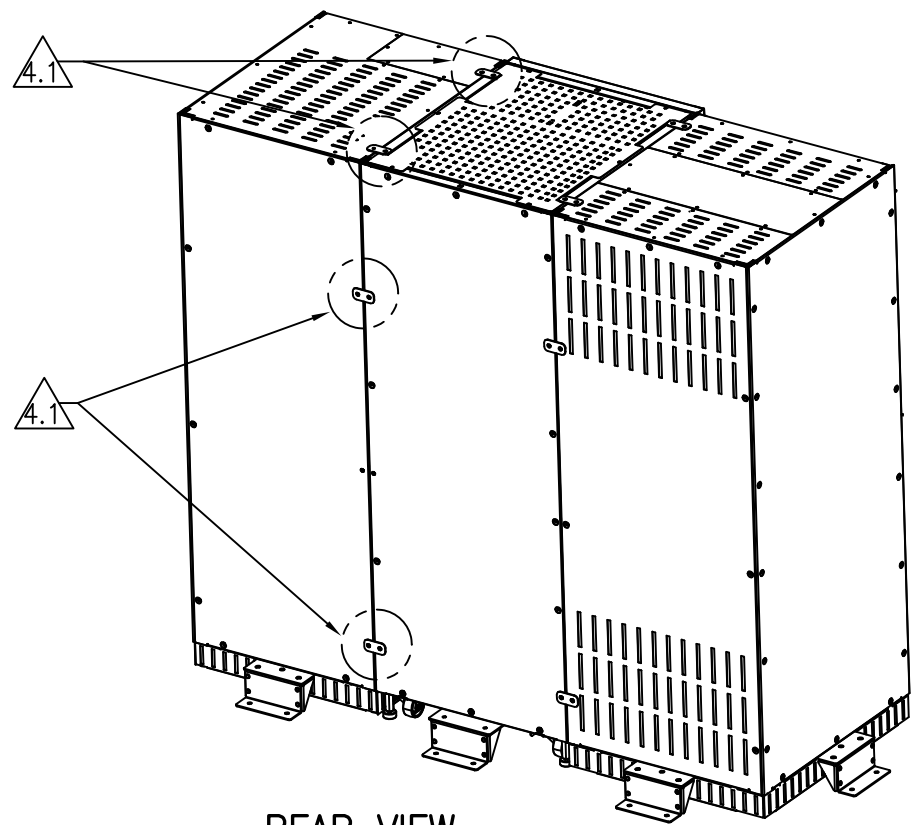
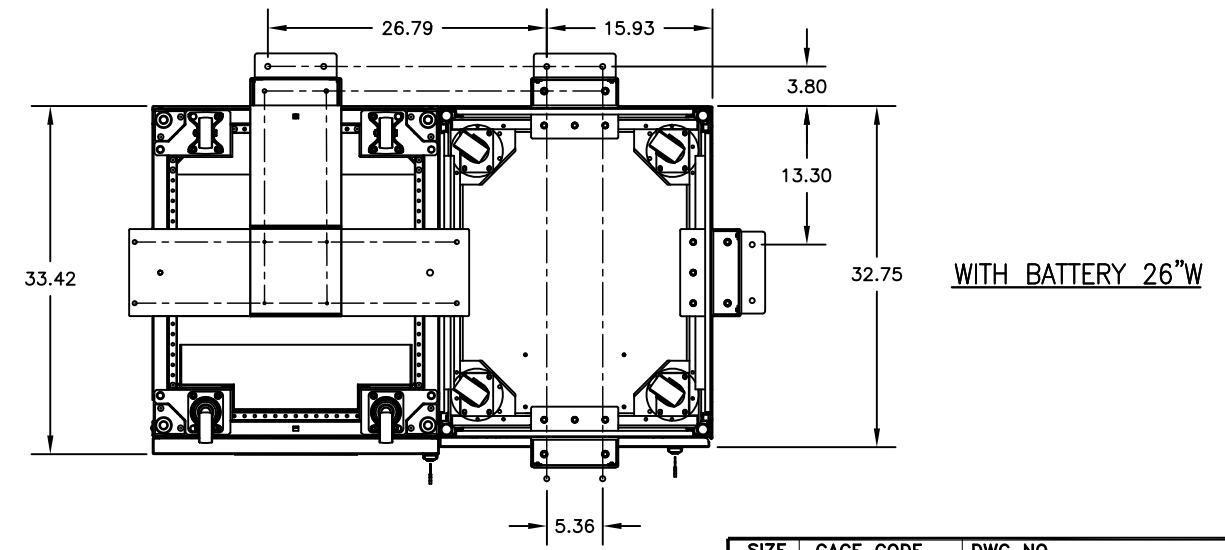
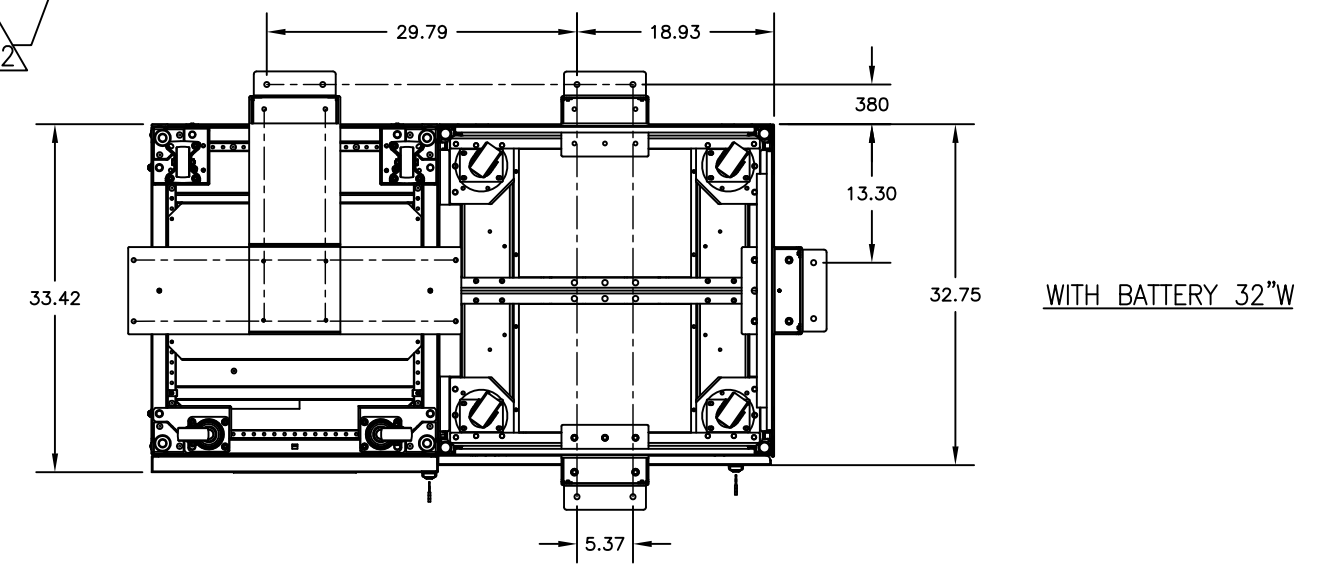
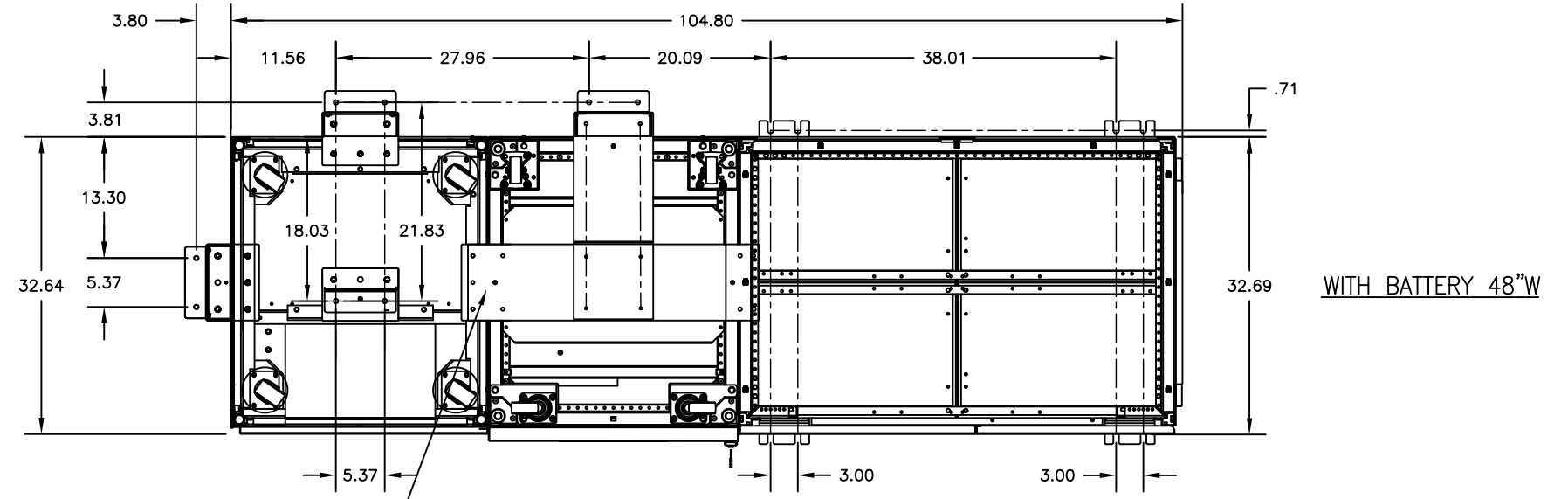


CASTER & LEVELER LOCATIONS



BATTERY (26" OR 32")

SIZE	CAGE CODE	DWG NO.	REV.
B	9L985	90-174744-00	A00
SCALE	NONE	CAD 90-174744-00_3	SHEET 3 OF 4



REAR VIEW
INTERCONNECT BRACKETS LOCATION

TO INTERCONNECT ADJACENT UNITS (85-174193-00)

4.1 USE 4 BRACKETS 71-174283-00 (2 ON TOP AND 2 ON THE REAR).

4.2 USE BRACKET 71-174281-00 ON THE BOTTOM.

NOTES: UNLESS OTHERWISE SPECIFIED

SEISMIC AND INTERCONNECT BRACKETS LOCATION

SIZE	CAGE CODE	DWG NO.	REV.
B	9L985	90-174744-00	X1
SCALE	NONE	CAD 90-174744-00_4	SHEET 4 OF 4